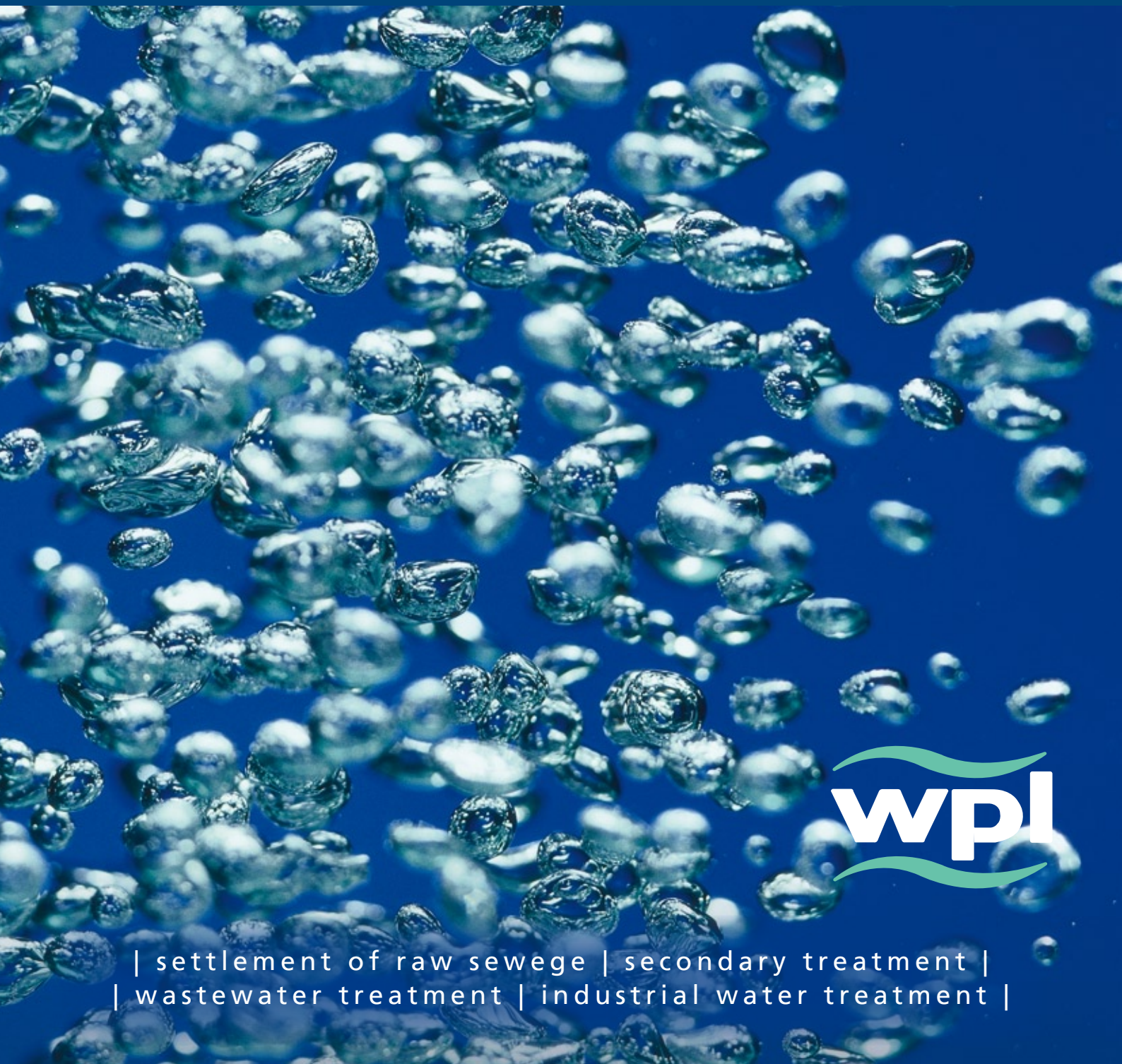


Conical Tank

Settlement and Secondary Treatment Information Pack

Innovating Wastewater Solutions



| settlement of raw sewage | secondary treatment |
| wastewater treatment | industrial water treatment |

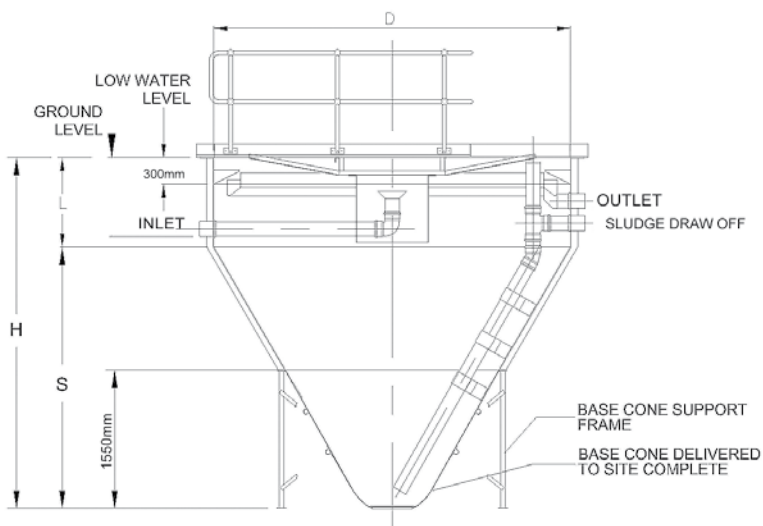
Conical Tanks

WPL's Conical range are high quality sedimentation tanks, offering treatment over a large surface area. They have a wide variety of applications where settlement or storage is required. Manufactured in Glass Reinforced Plastic (GRP), the units are custom made to satisfy the required treatment capabilities.



Inside Diameter (D)	Depth (H)	Cone Depth (S)	Straight Height (L)	Surface Area	Capacity	Weight (empty)
2.4 m	2.75 m	1.60 m	1.40 m	4.50 m ²	7.89 m ³	400 kg
3.0 m	3.30 m	2.10 m	1.20 m	7.00 m ²	12.20 m ³	500 kg
4.0 m	3.90 m	3.00 m	1.00 m	12.60 m ²	22.81 m ³	1000 kg
5.0 m	4.60 m	3.80 m	0.80 m	19.60 m ²	37.41 m ³	1500 kg
6.0 m	5.50 m	4.70 m	0.80 m	28.30 m ²	62.22 m ³	3000 kg

Dimensions



Typical Applications

Include Water Utilities, Commercial and Industrial wastewater solutions.

Benefits

- GRP construction with corrosion resistant reinforcement.
- Resistant to almost all chemicals - tanks can be made to withstand very strong alkalis or acidic PH levels.
- 60 degree inverted cone.
- Option for extending sidewall to increase retention period.
- Can be installed either below or above ground (up to 4m diameter).
- Sized in accordance with BS 6297 and designed to principles established in BS 4994.
- Connection sizes and positions tailored to customer needs.
- Up-flow or cross-flow options available.
- Scum draw-off systems available.
- Supplied complete with internal launders, diffuser drum (stilling well), scum board and piping.

WPL is recognised internationally as a principle designer and manufacturer of high quality package and turnkey sewage treatment systems, and grease management solutions.

It has over 14 years' industry experience and services an extensive customer portfolio comprising the UK's major water utilities, all areas of the commercial sector and the domestic market place.

The company's consistent focus on ecology, coupled with extensive research & development into new technology, have enabled it to far exceed all existing and proposed discharge consent standards enforced by the Environment Agency, SEPA and other regulatory authorities.



WPL Limited
Units 1 & 2 Aston Road
Waterlooville
Hampshire PO7 7UX
United Kingdom

Tel: (+44) 0 845 4504822
Fax: (+44) 0 23 92242624
email: enquiries@wpl.co.uk
www.wpl.co.uk

